

XARPA-31

Automatic Clipping Machine

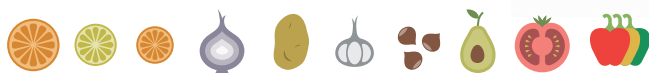
- › Produces knitted net and extruded net bags closed by clipping wire at their ends.
- › Bag weights from 250 gr. (1/2 lb.) up to 5Kg (11 pounds).
- › Production speeds up to 35 bags per minute.
- › Very efficient and reliable clipping machine.
- › Accurate dispensing of the net that offers an optimal measurement in the length of the bag.

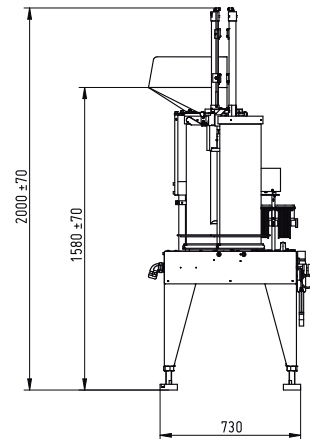
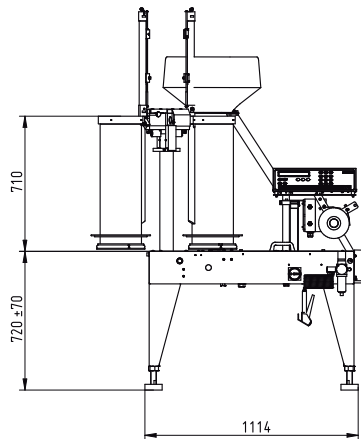
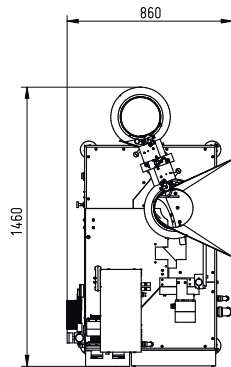
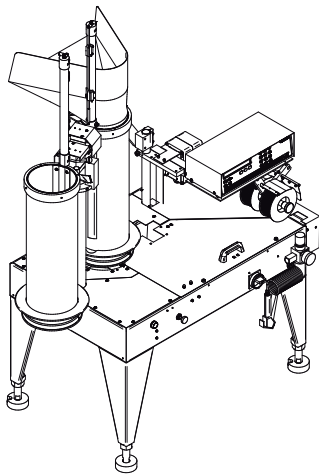


XARPA-31 Evolution

Automatic Clipping Machine

- › Produces knitted net and extruded net bags closed by clipping wire at their ends.
- › Ideal for pack weights ranging from 250 gr. (1/2 lb.) up to 3Kg (7 pounds) , depending on the product to be packaged.
- › An automatic net clipping machine designed for delicate handling of the product. The Xarpa-31-Evolution is revolutionary, it does not allow the product to fall down the tube; instead it carries it down offering much gentler handling.
- › Production speeds up to 35 bags per minute.





XARPA-31 >

Easy to use

Very Reliable

High Definition
Print

The Xarpa-31 comes in two versions:

- > **Single Tube** – Comes with only one netting tube.
- > **Double Tube** – Comes with two netting tubes which allows uninterrupted operation of the machine. When the netting runs out on the operational tube, the machine automatically switches to the second tube.



Optional Labeling:

- > **EC-40:** The EC-40 is a wine-glass label printer and dispenser that places one label per bag.
- > **Ribbon Tape:** By means of a despoiler, you can place a continuous pre-printed ribbon across both clips of the bag.

